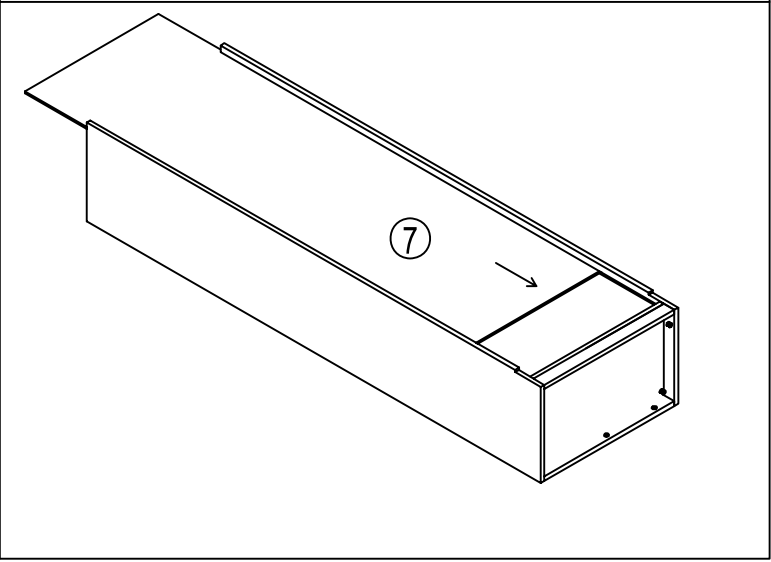
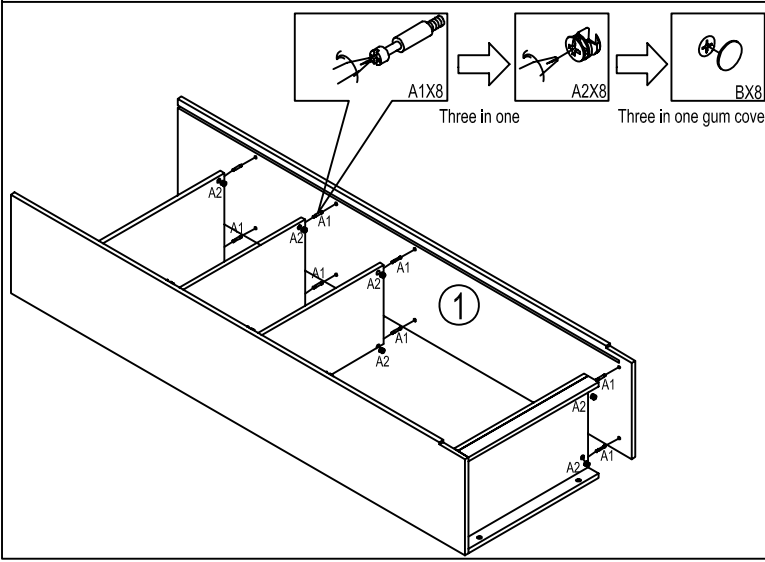
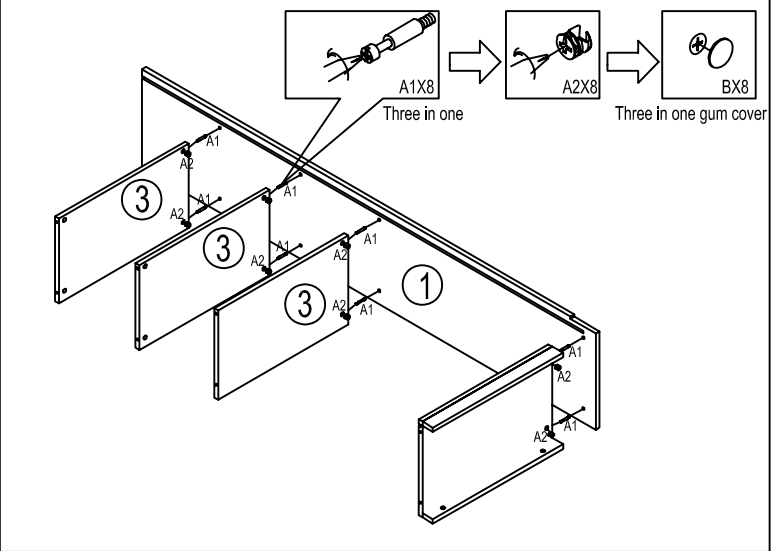
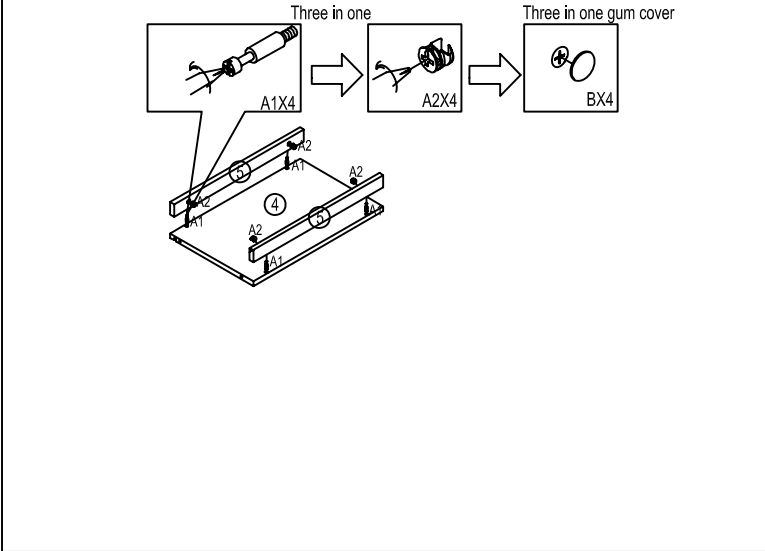
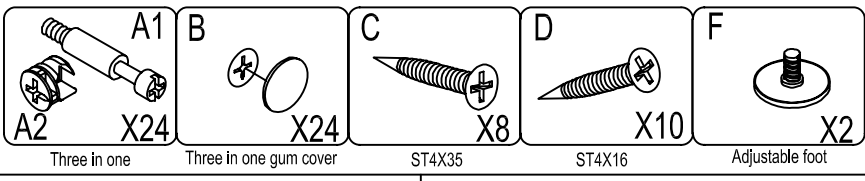
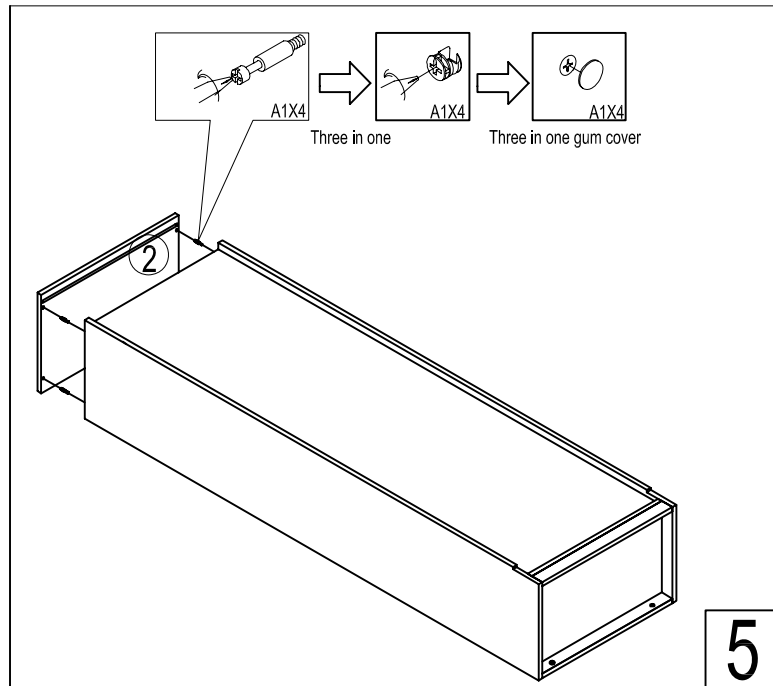
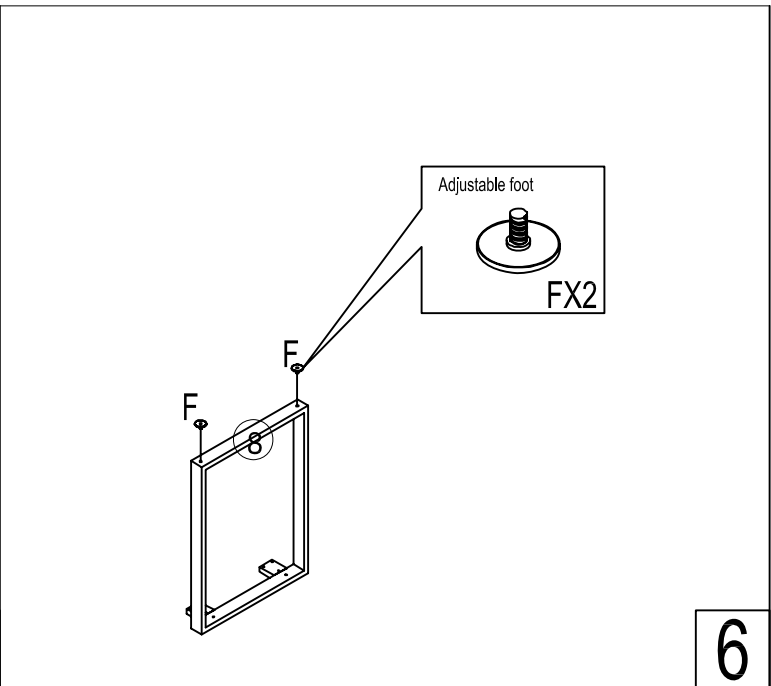


No.	Parte name	QTY
①	Side panel	2
②	Top panel	1
③	Laminates panel	3
④	Baseboard	1
⑤	Skirting line	2
⑥	Desk	1
⑦	Back panel	1
⑧	Steel foot	1
⑨	Sliding rail	2
⑩	Beam	1

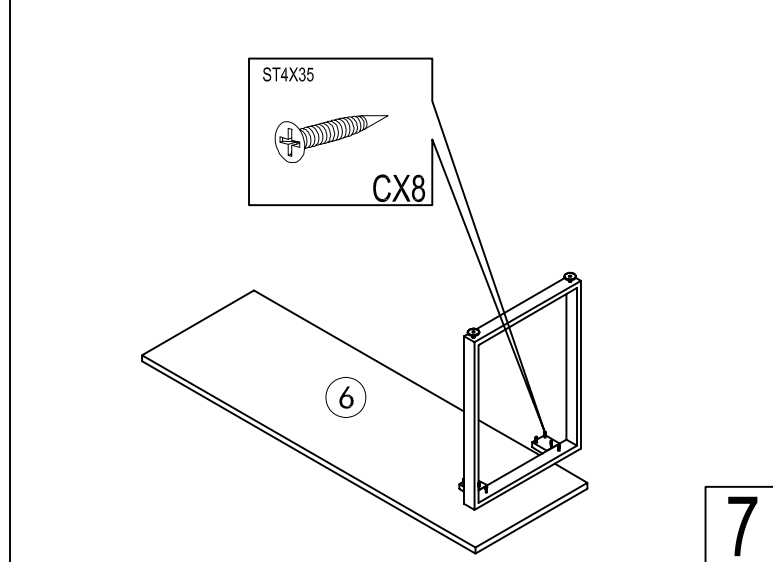




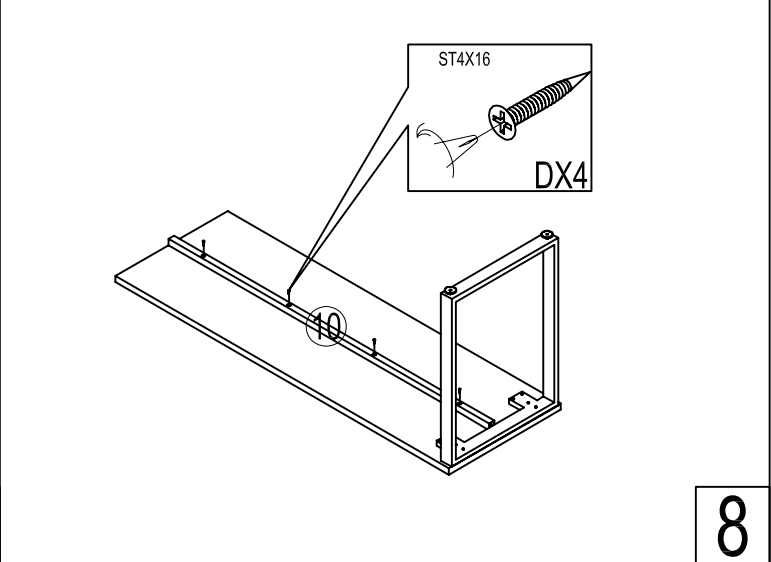
5



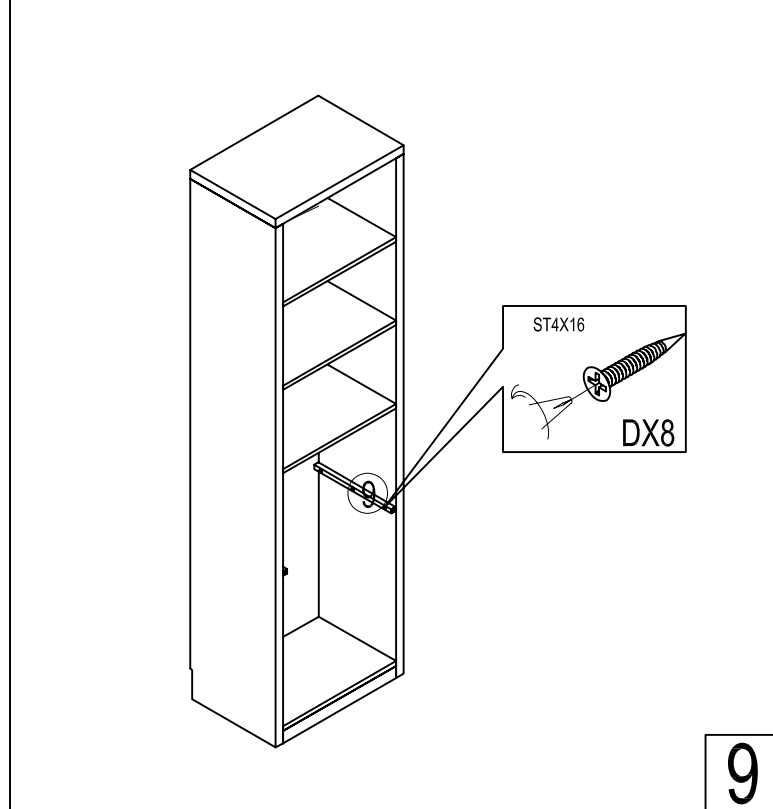
6



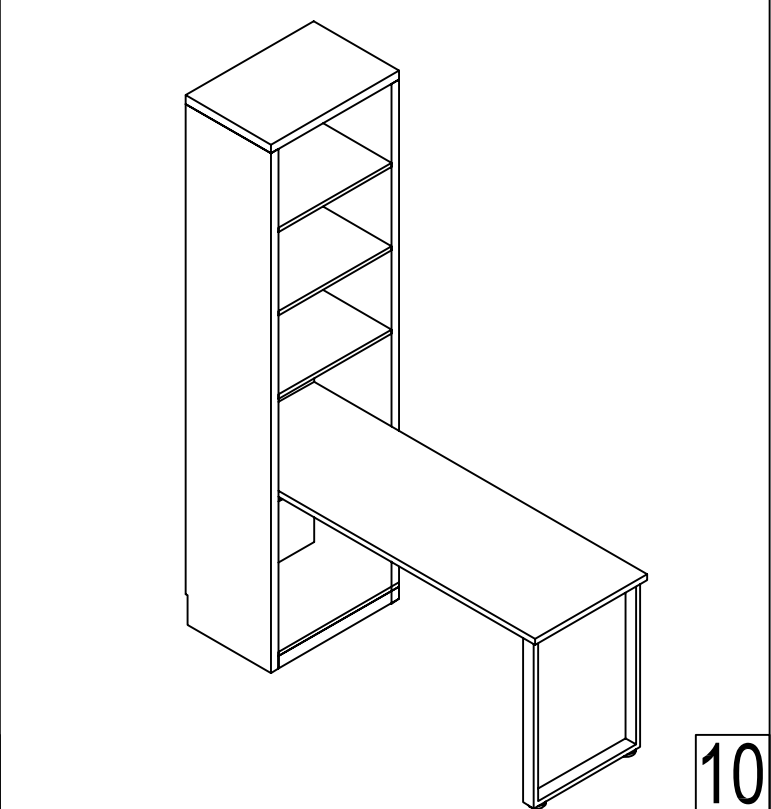
7



8



9



10