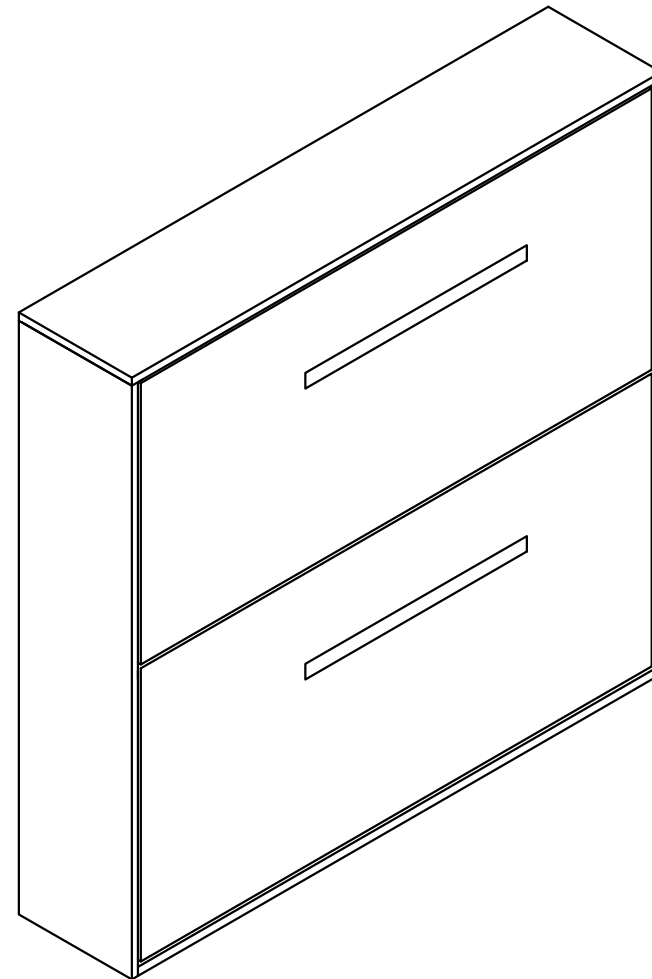
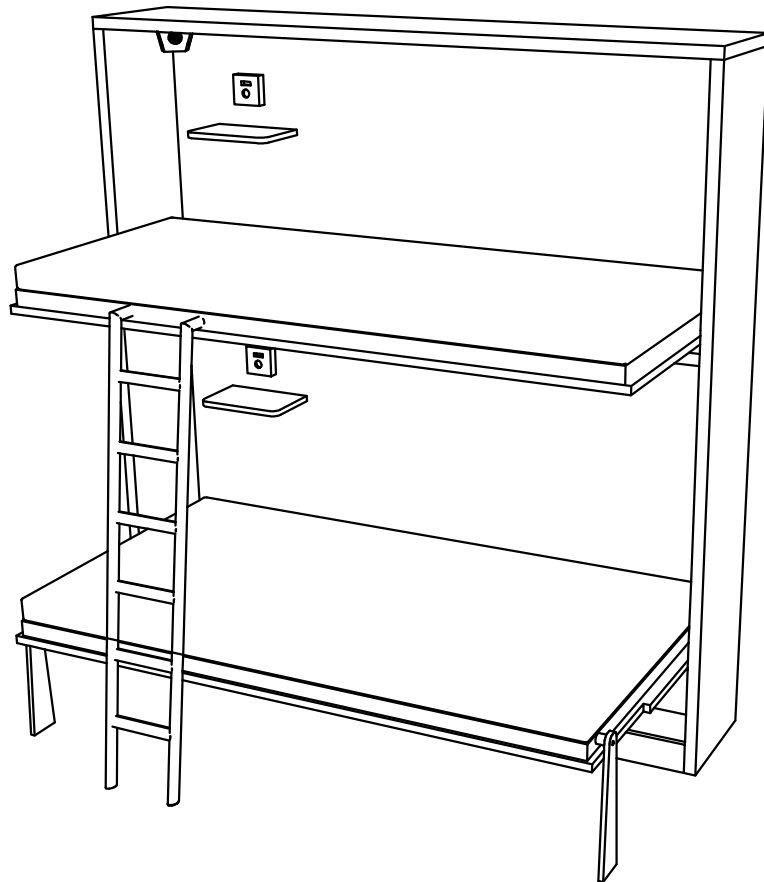
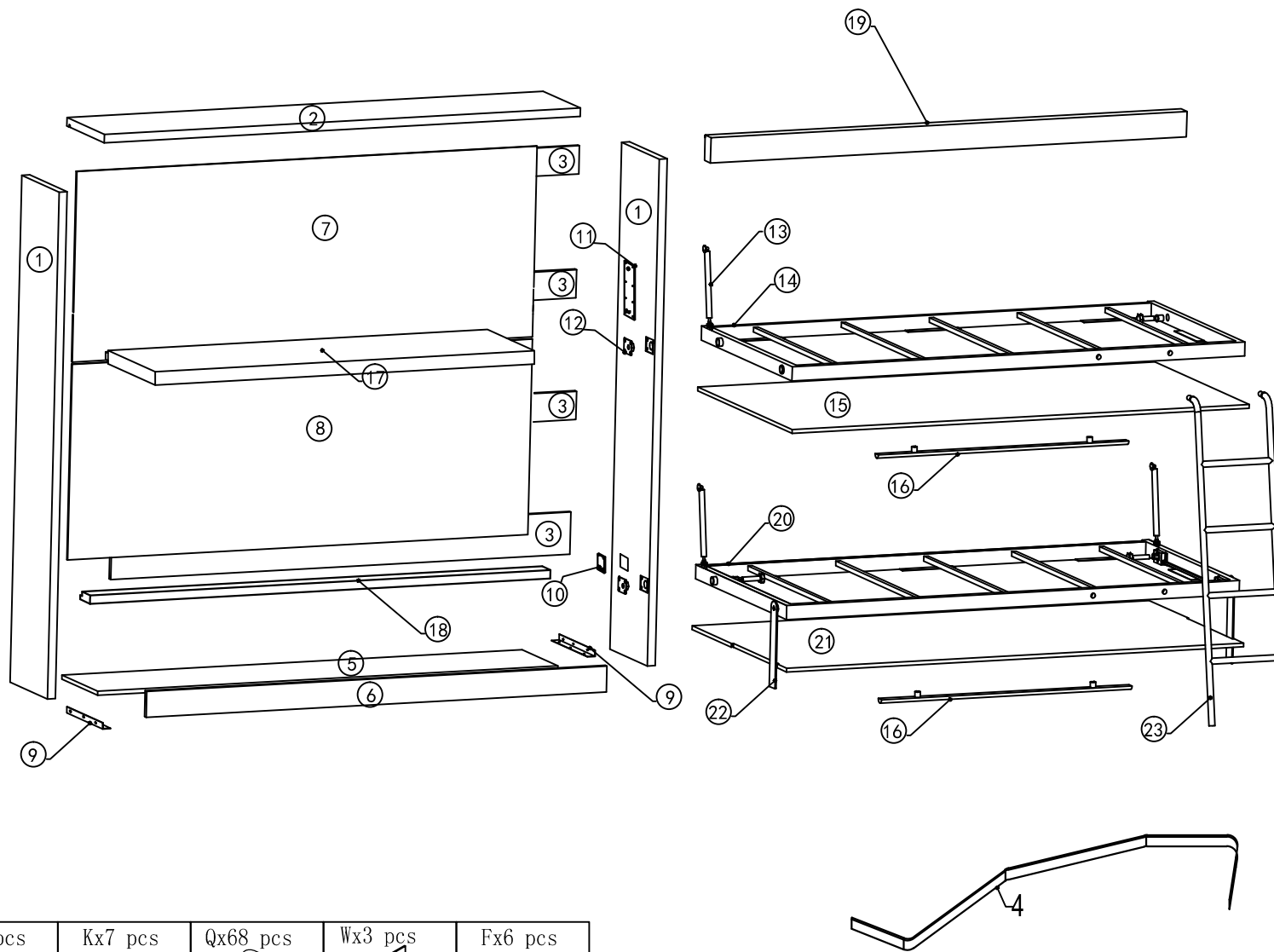

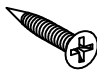

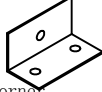





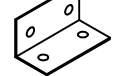

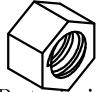


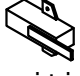


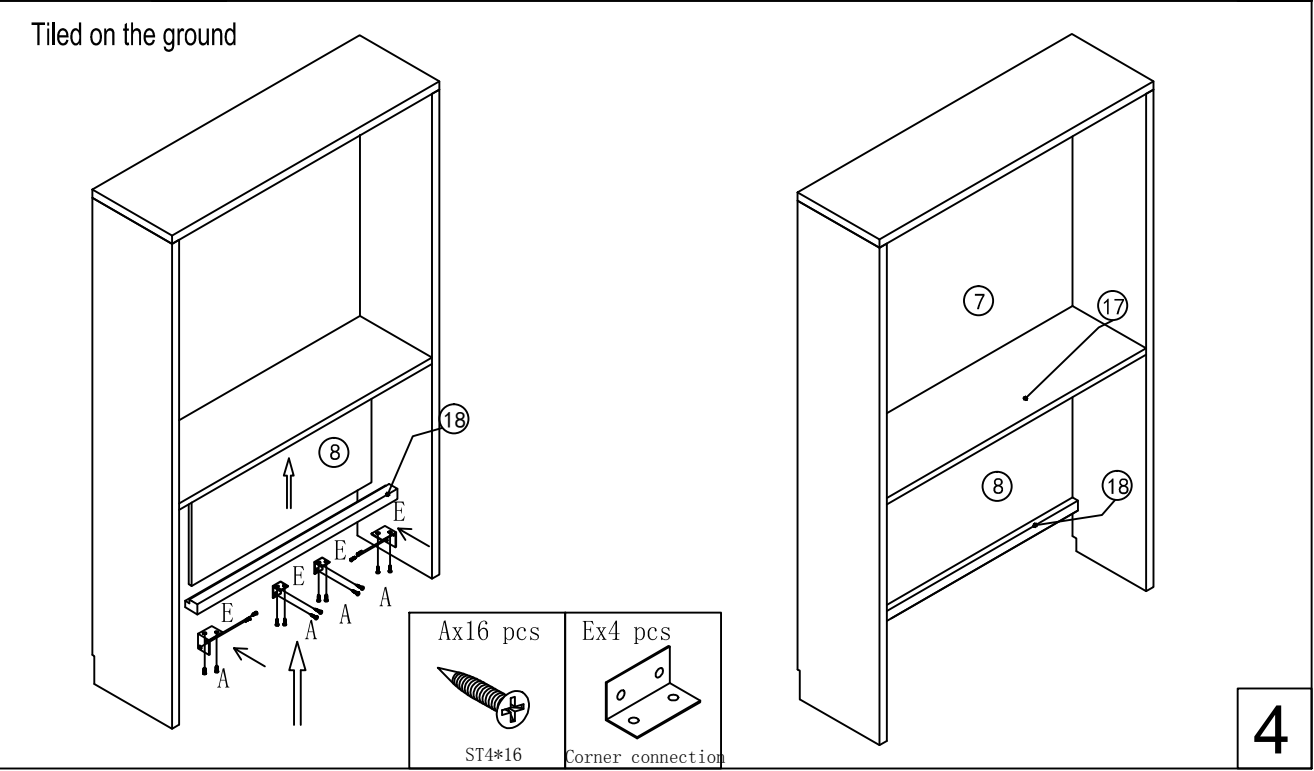
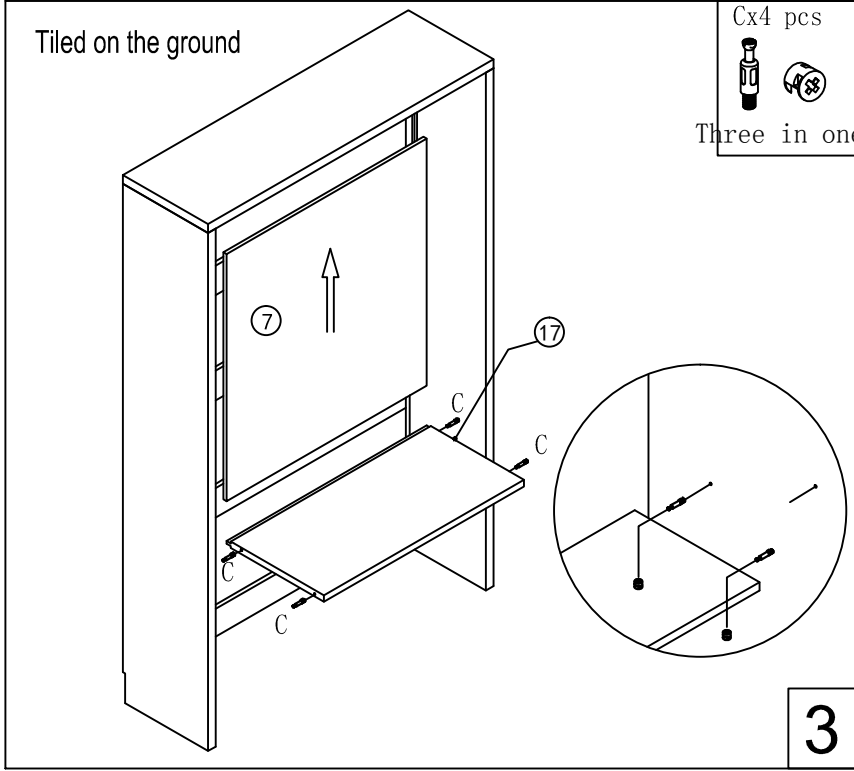
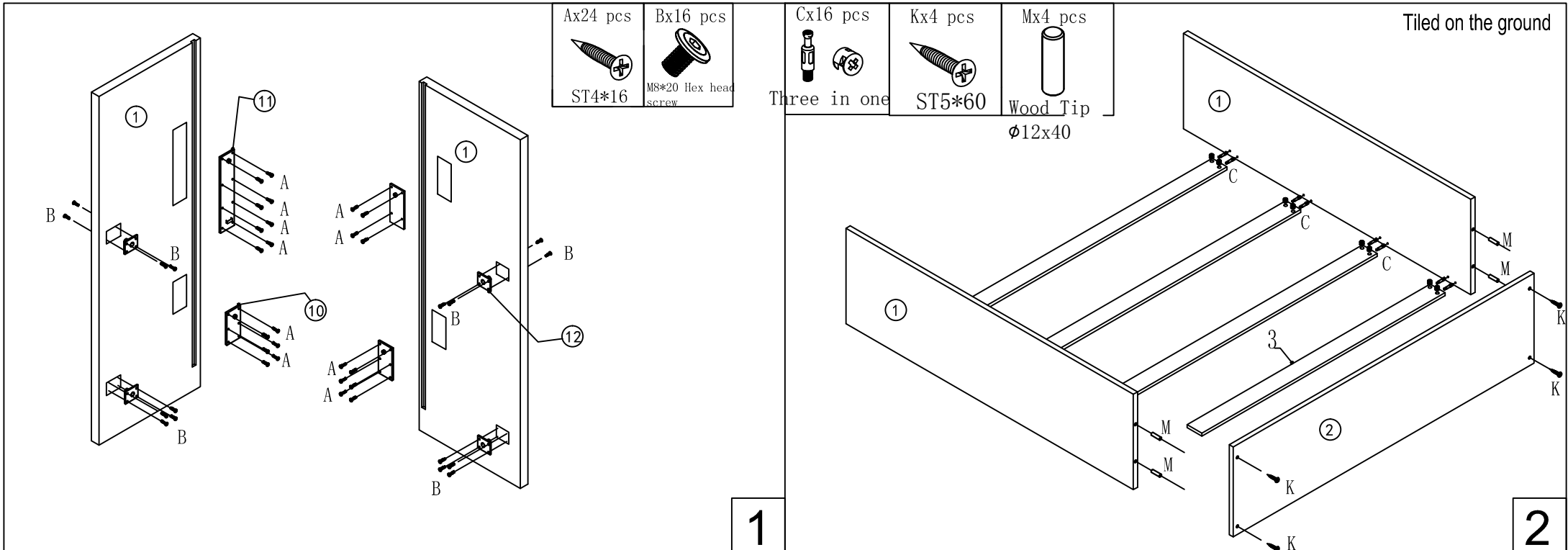
C2000-09 (MK18FD18) Installation Manual

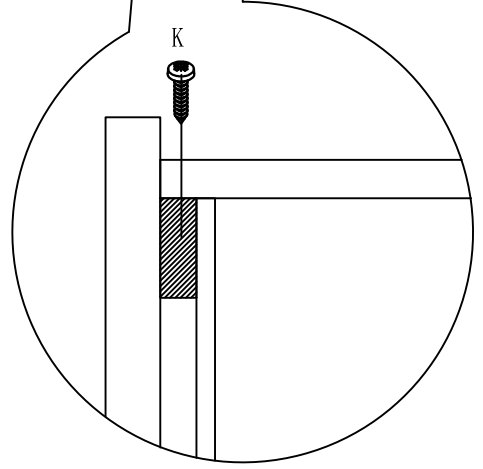
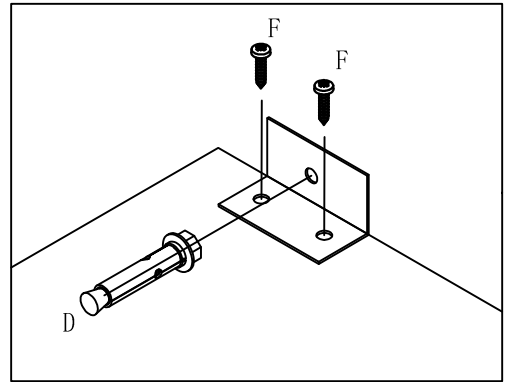
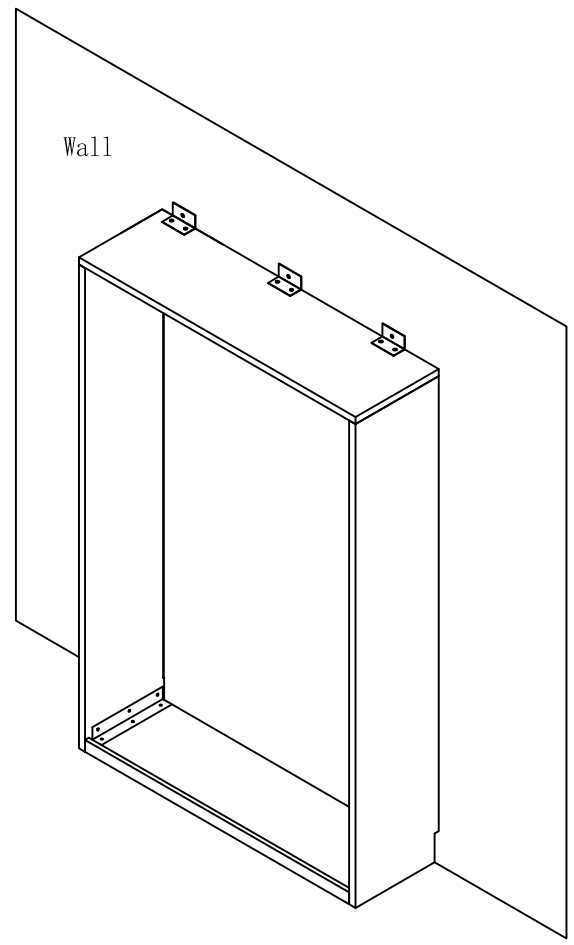
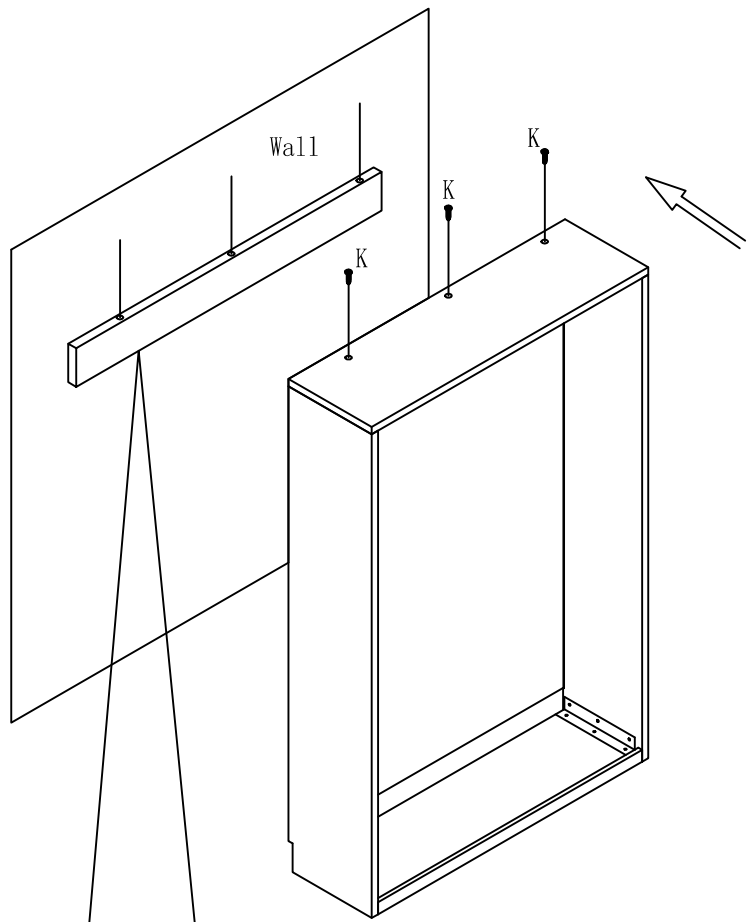



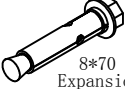
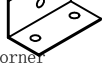



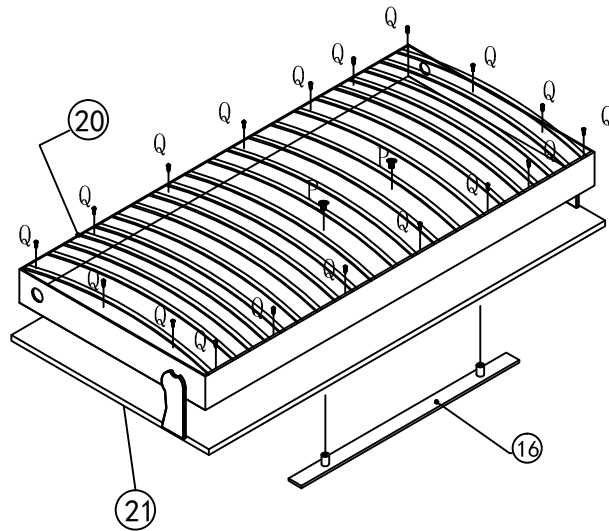
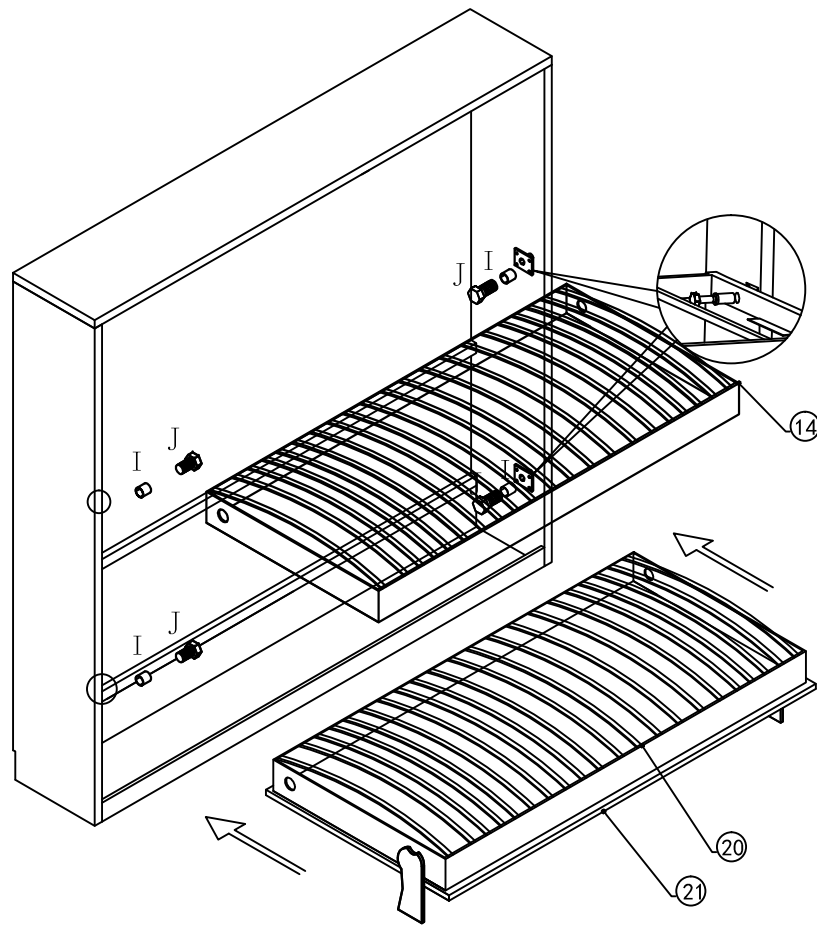
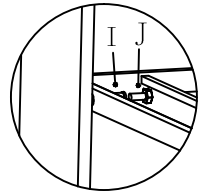
NO.	Part name	QTY
①	Side panel	2
②	Top panel	1
③	Back brace panel	4
④	bandage	4
⑤	Bottom panel	1
⑥	Skirting line	1
⑦	Back panel	1
⑧	Back panel	1
⑨	Angle iron	2
⑩	Limit iron	2
⑪	Limit iron	2
⑫	Shaft seat	4
⑬	Gas bar	3
⑭	Up Bedstead	1
⑮	Up Door panel	1
⑯	Handle	2
⑰	Laminate Panel	1
⑱	Braces plate 2	1
⑲	Hanging panel	1
⑳	Down Bedstead	1
㉑	Down Door panel	1
㉒	Leg	2
㉓	Crawling ladder	1

Mx4 pcs  Wood Tip $\phi 12 \times 40$	Kx7 pcs  ST5*60	Qx68 pcs  M6*10 Round head self tapping	Wx3 pcs  Corner connection	Fx6 pcs  ST4*40	Ax72 pcs  ST4*16	Bx22 pcs  M8*20 Hex head screw	Cx24 pcs  Three in one	Dx7 pcs  8*70 Expansion Screw	Ex4 pcs  Corner connection	Px4 pcs  M8*35 Hex head screw	Hx3 pcs  Retaining nut	Ix4 pcs  Gum cover	Jx4 pcs  Screw M18*90	Lx4 pcs  Positioner
--	--	--	---	--	--	---	---	--	---	--	---	---	--	--





<p>Kx3 pcs</p>  <p>ST5*60</p>	<p>Dx3 pcs</p>  <p>8*70 Expansion Screw</p>	<p>Wx3 pcs</p>  <p>Corner connection</p>	<p>Fx6 pcs</p>  <p>ST4*40</p>
---	--	---	--



Qx34 pcs



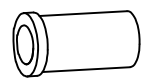
M6*10 Round head self tapping

Px2 pcs



M8*35 Hex head screw

Ix4 pcs



Gum cover

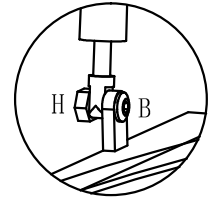
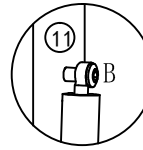
Jx4 pcs



Screw

M18*90

11



Hx3 pcs

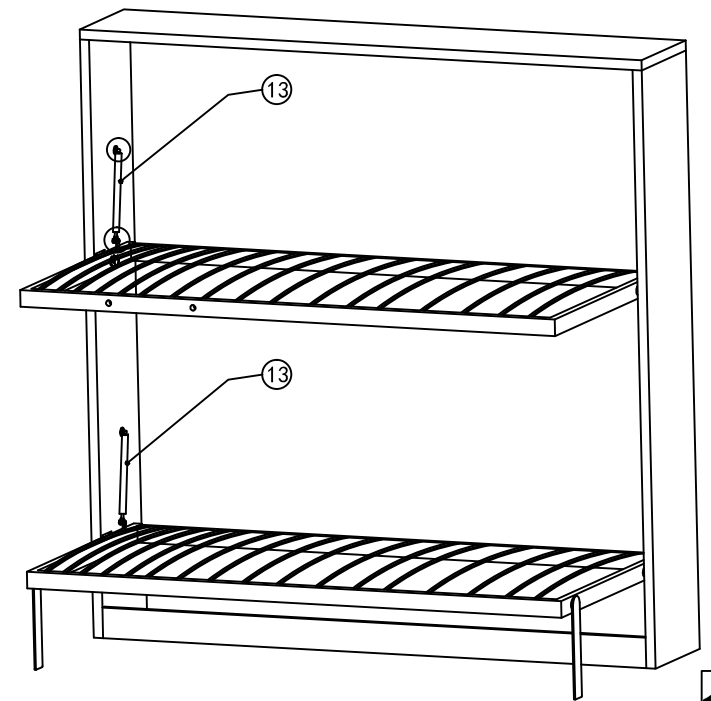


Retaining nut

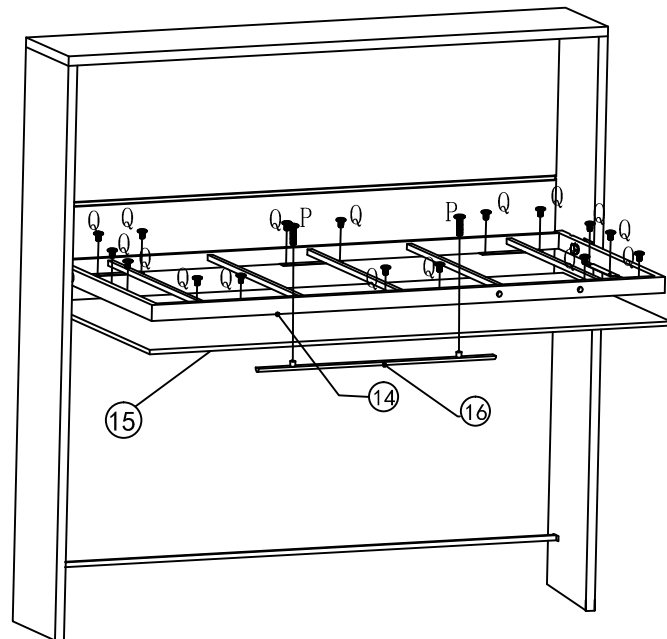
Bx6 pcs



M8*20 Hex head screw



12



Qx34 pcs



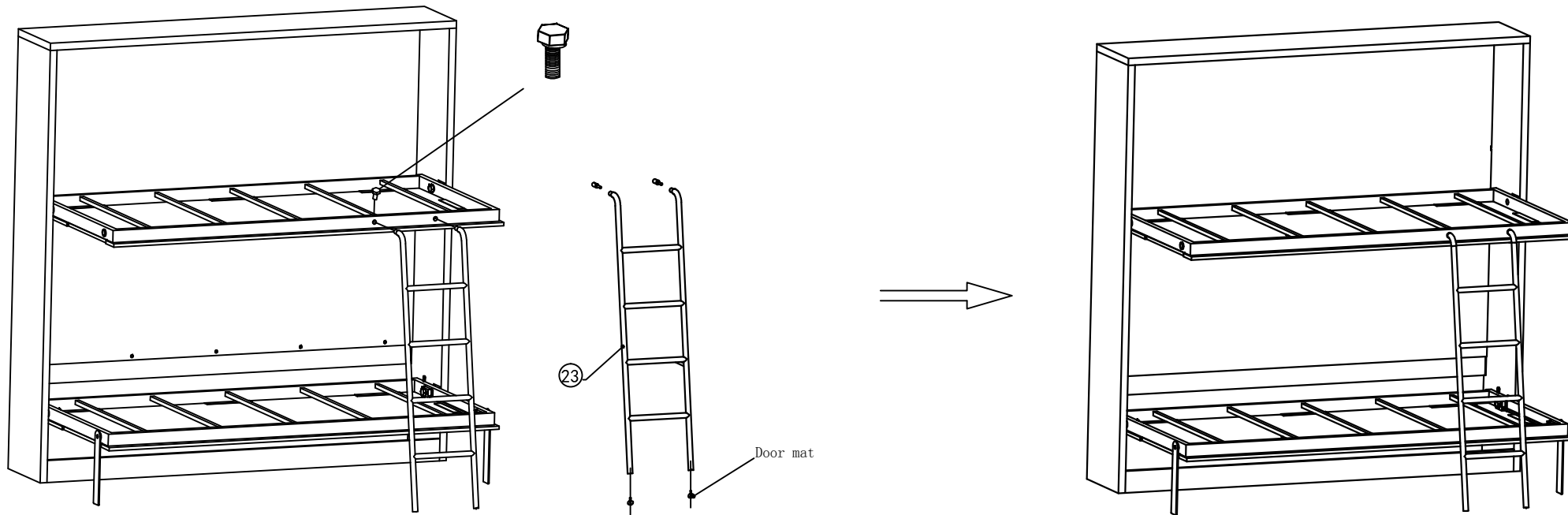
M6*10 Round head self tapping

Px2 pcs

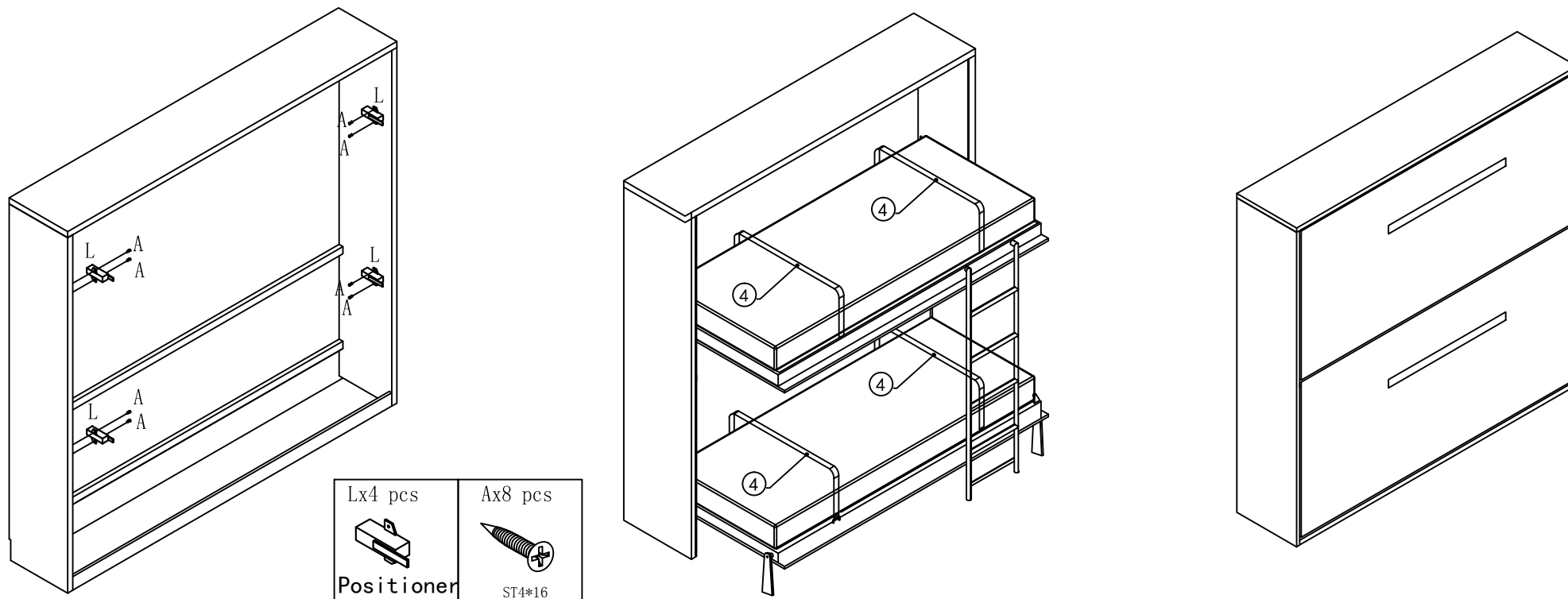


M8*35 Hex head screw

13



14



15