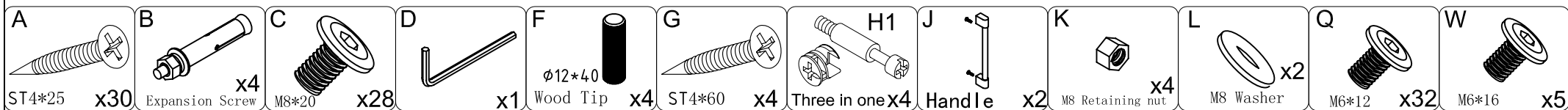
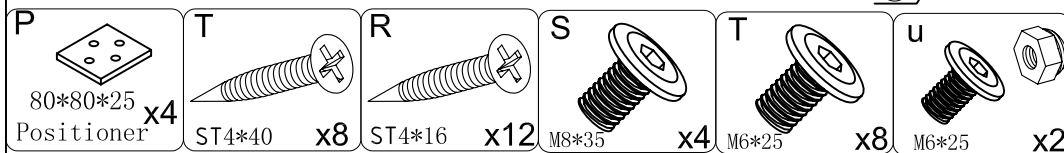
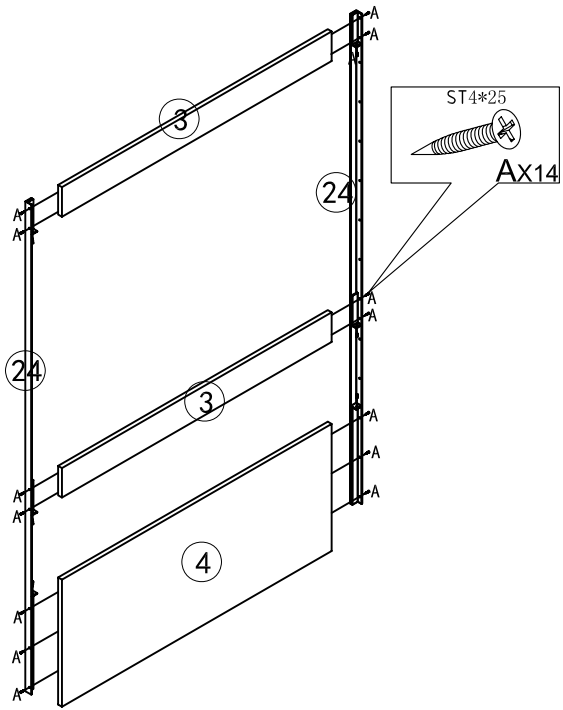
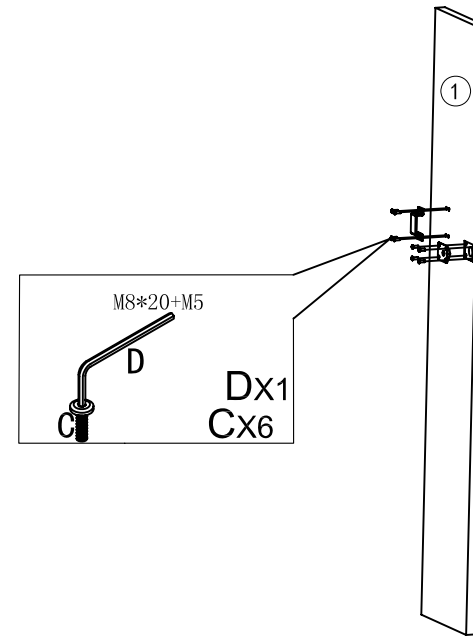


NO.	Parte name	QTY
①	Side panel	2
②	Top panel	1
③	Back brace panel	2
④	Back brace panel	1
⑤	Bottom panel	1
⑥	Skirting line	1
⑦	Aluminum trim strip	1
⑧	Aluminum cover plate	1
⑨	Limit iron	1
⑩	Shaft seat	1
⑪	Gas bar	2
⑫	Up Bedstead	4
⑬	Up Door panel	4
⑭	Gum cover	2
⑮	Screw	1
⑯	Crawling ladder	2
⑰	Handle	2
⑱	Back leg iron	2
⑲	The studdle of sofa	1
⑳	Sofa	1

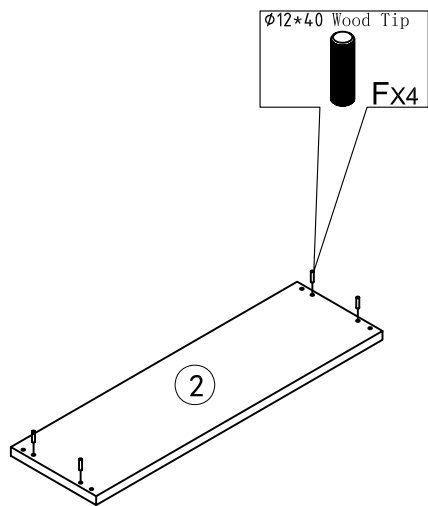




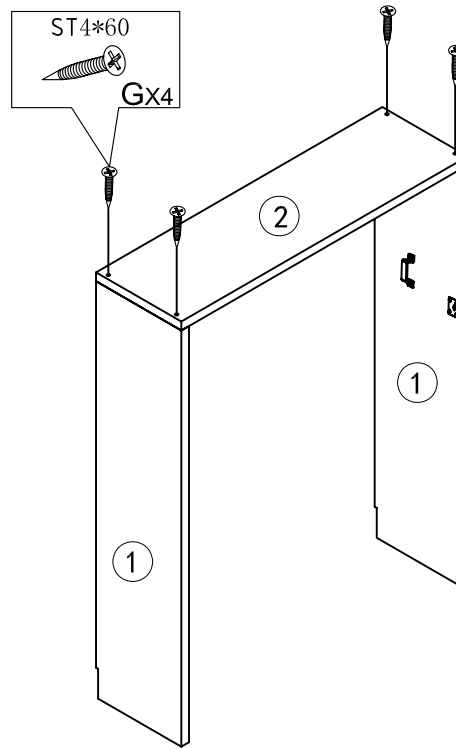
1



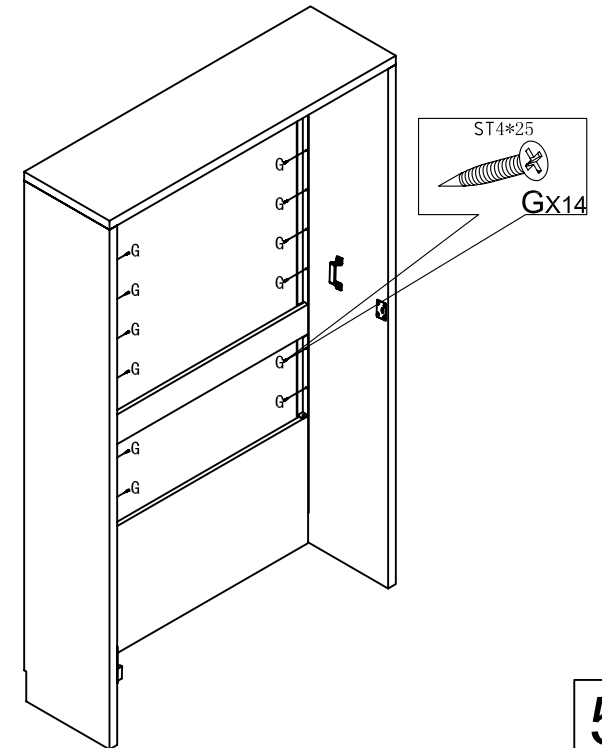
2



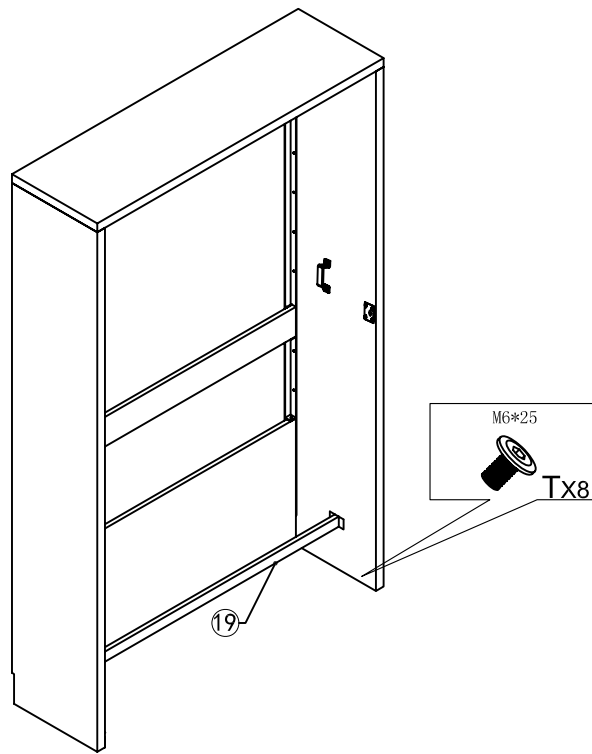
3



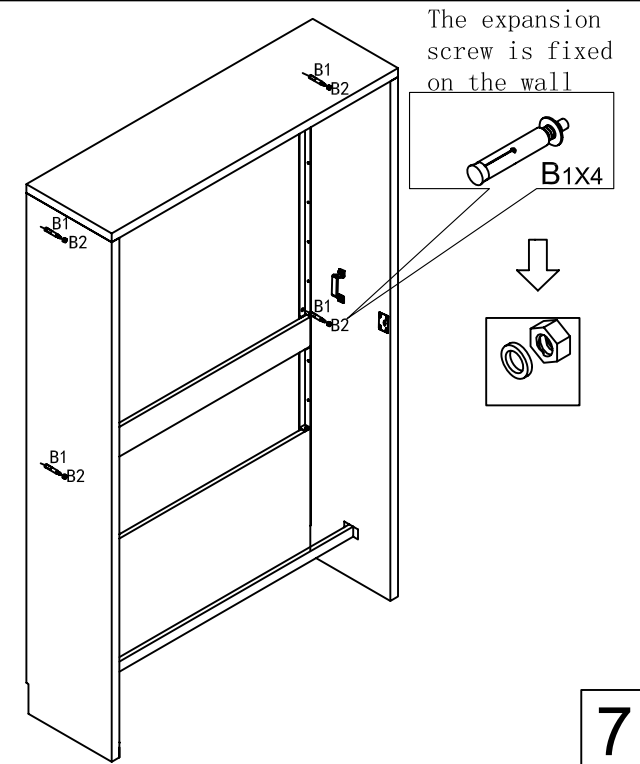
4



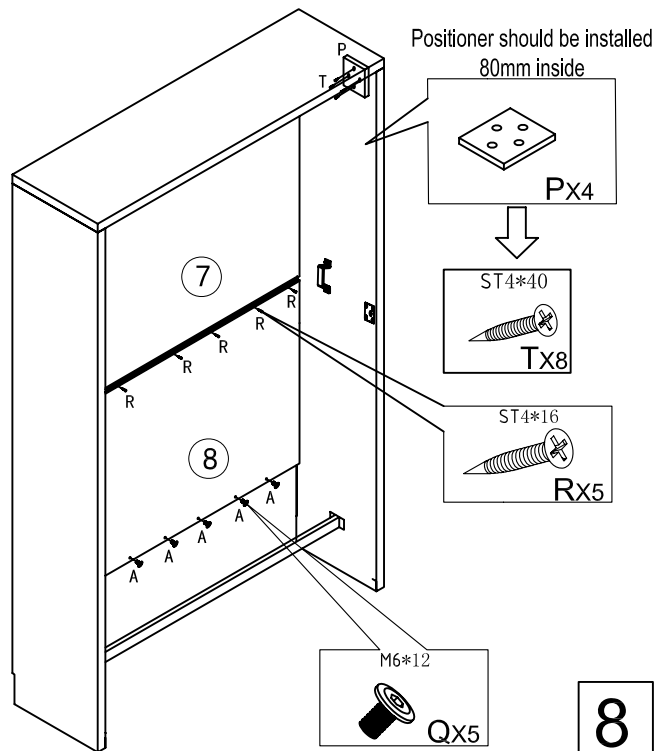
5



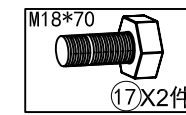
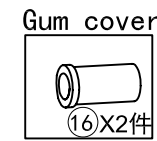
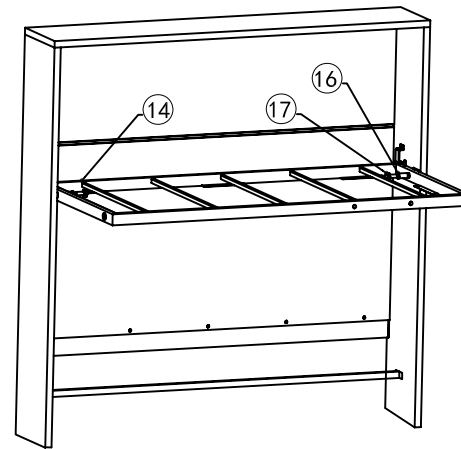
6



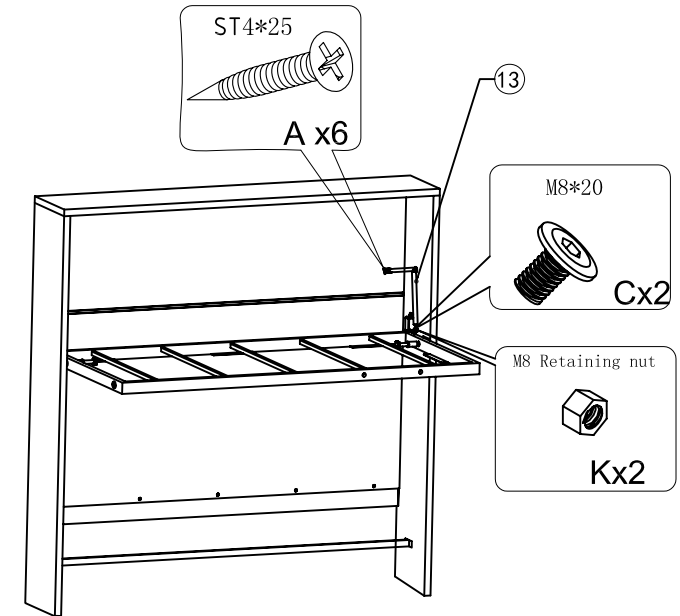
7



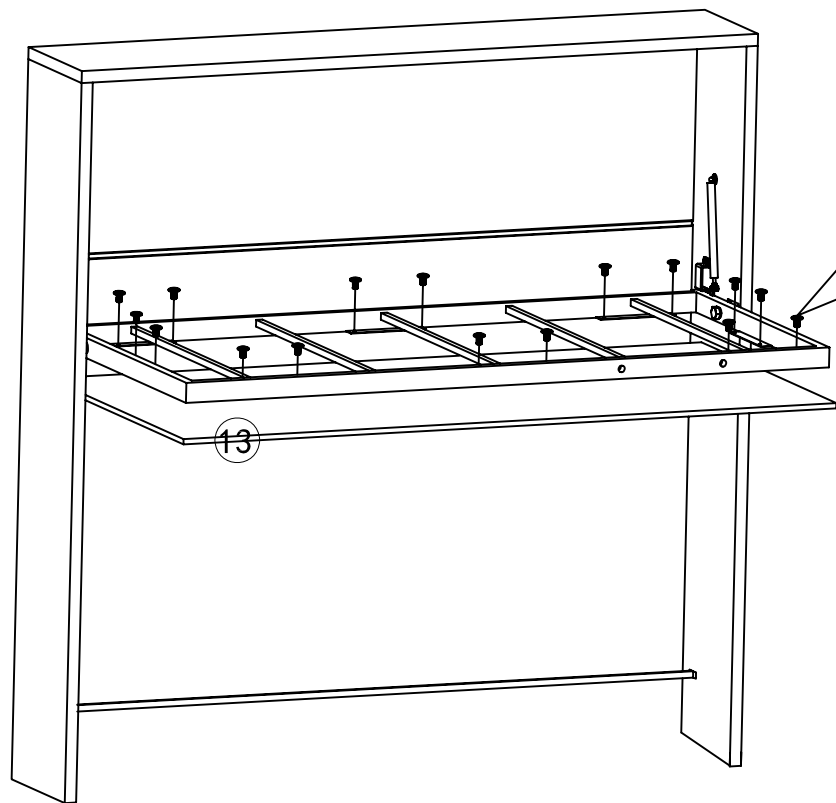
8



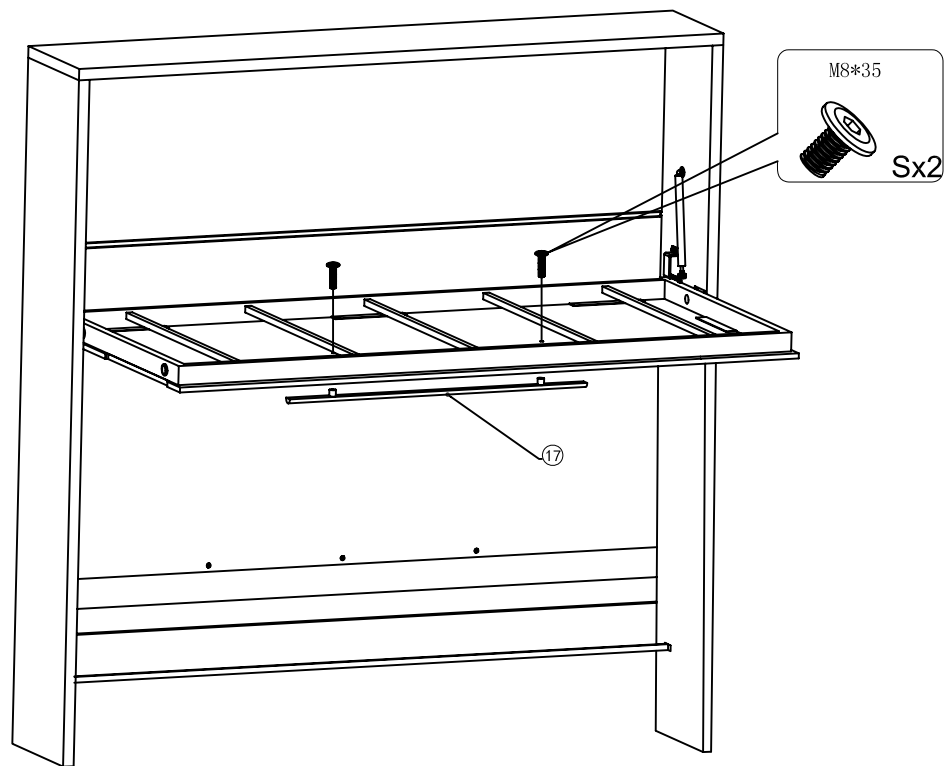
9



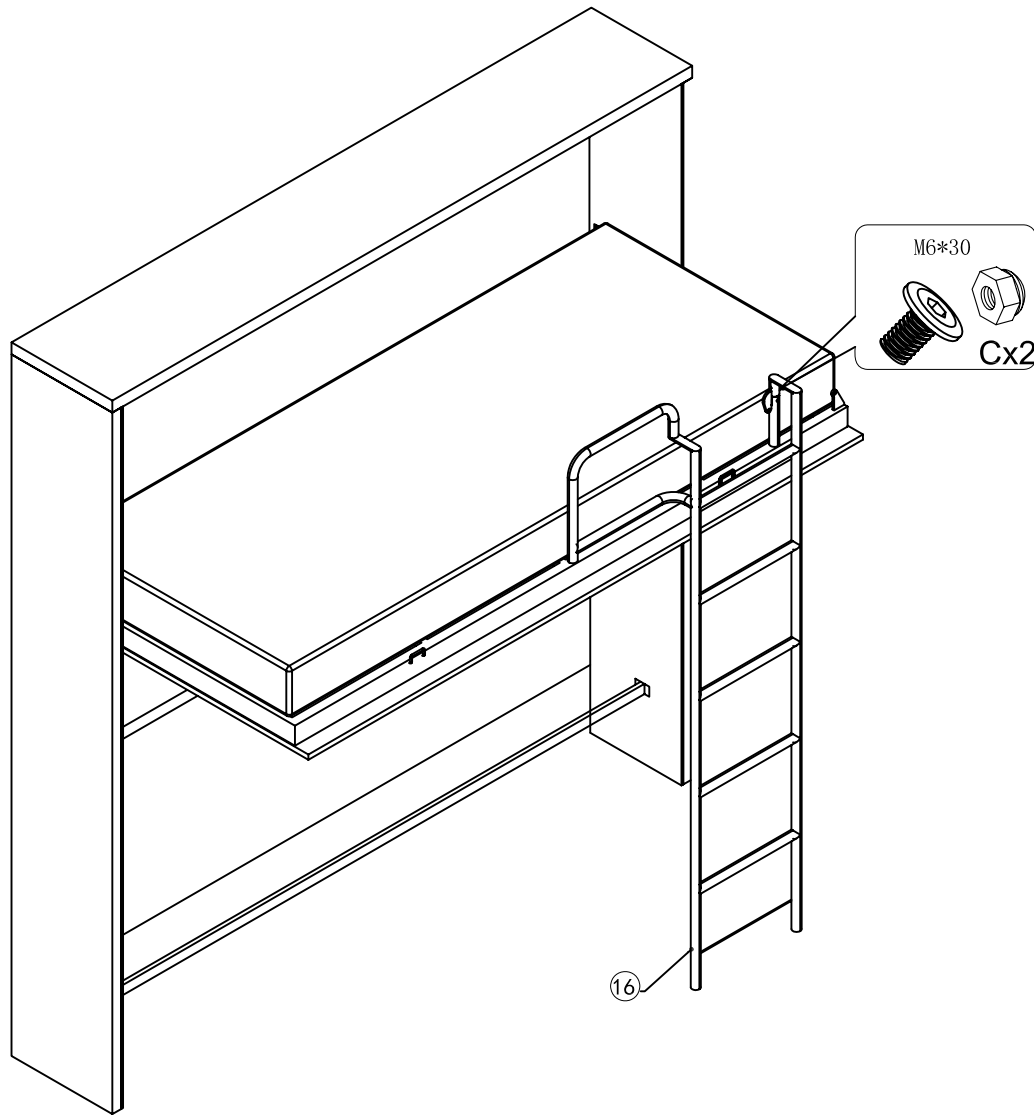
10



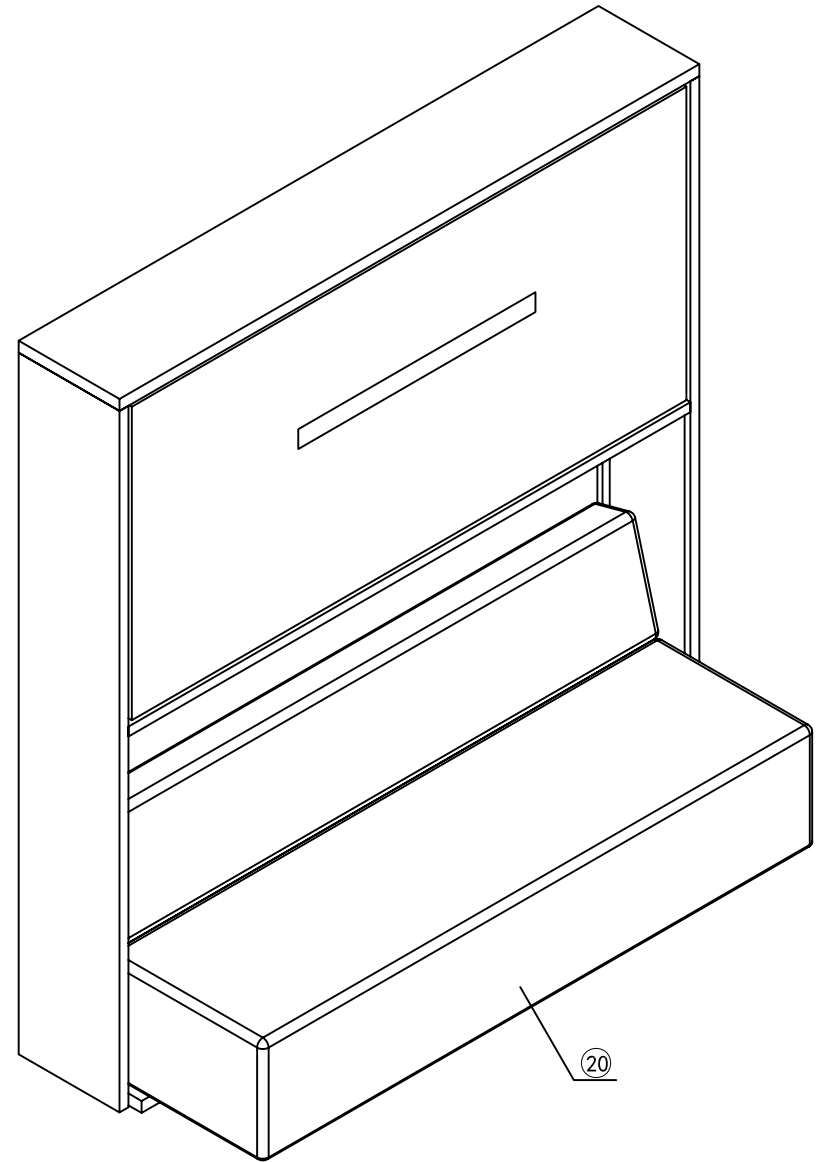
11



12



13



14